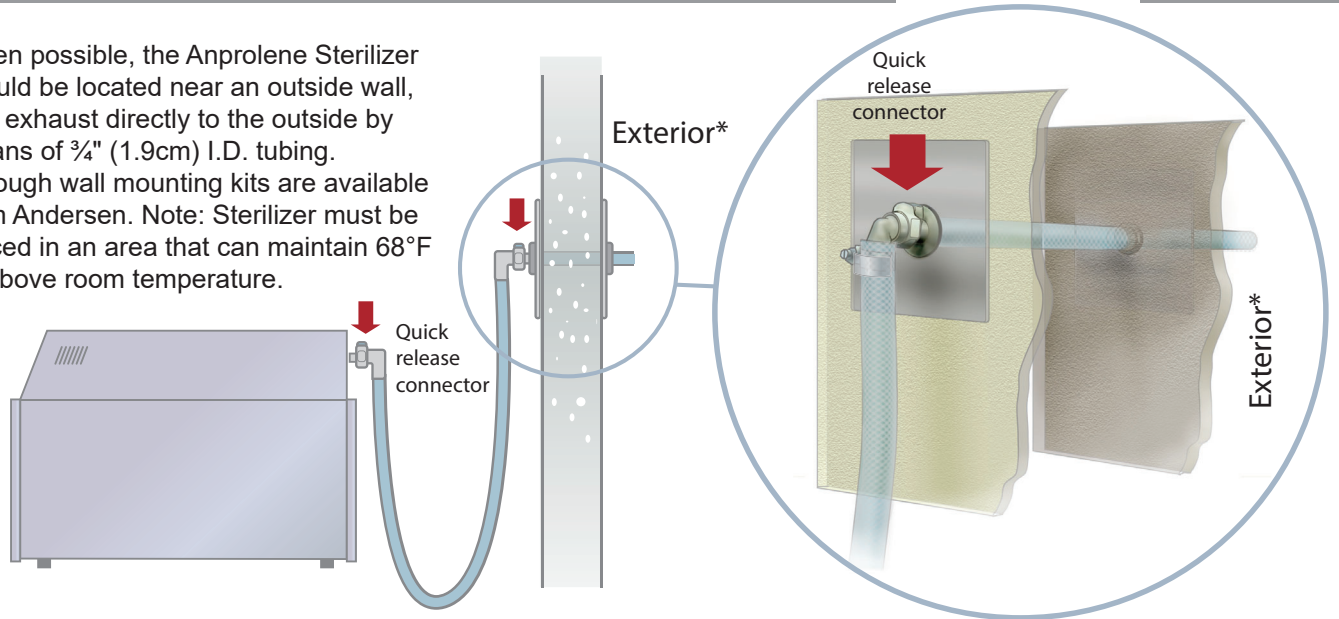


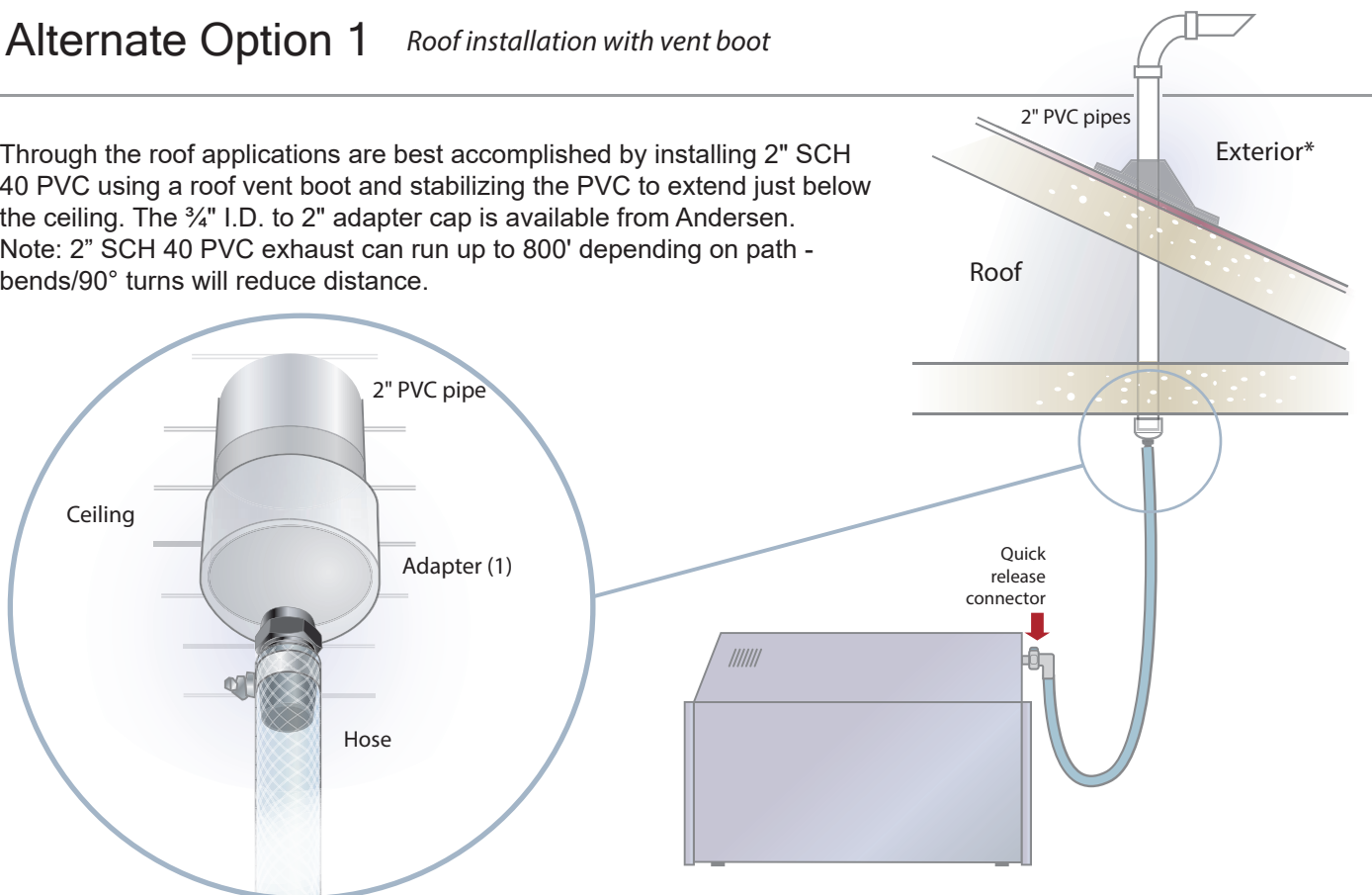
### Recommended Installation

When possible, the Anprolene Sterilizer should be located near an outside wall, and exhaust directly to the outside by means of  $\frac{3}{4}$ " (1.9cm) I.D. tubing. Through wall mounting kits are available from Andersen. Note: Sterilizer must be placed in an area that can maintain 68°F or above room temperature.

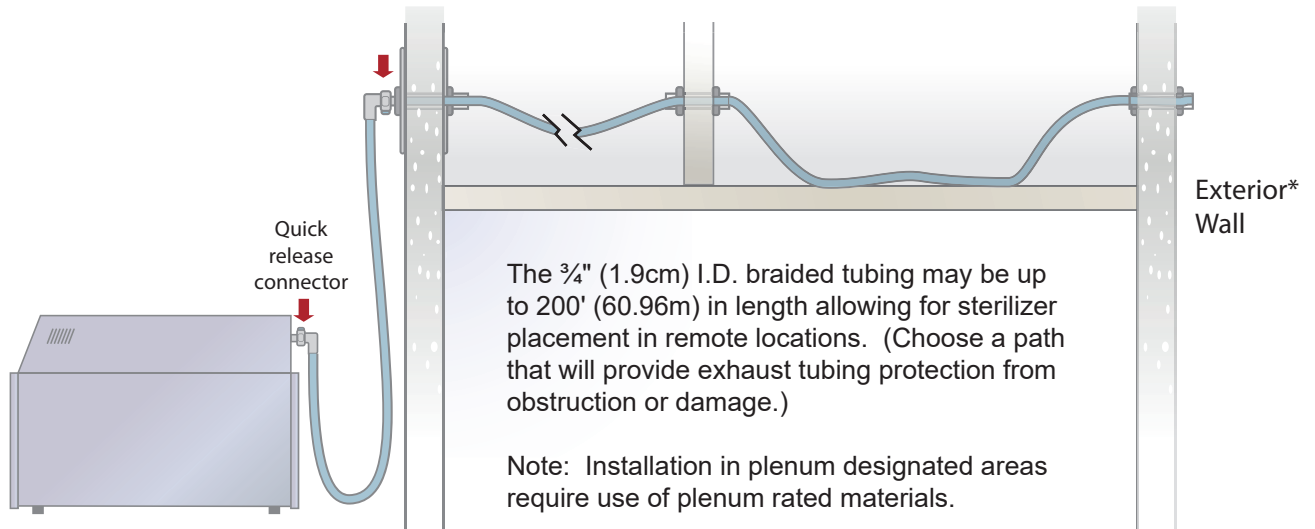


### Alternate Option 1 *Roof installation with vent boot*

Through the roof applications are best accomplished by installing 2" SCH 40 PVC using a roof vent boot and stabilizing the PVC to extend just below the ceiling. The  $\frac{3}{4}$ " I.D. to 2" adapter cap is available from Andersen. Note: 2" SCH 40 PVC exhaust can run up to 800' depending on path - bends/90° turns will reduce distance.

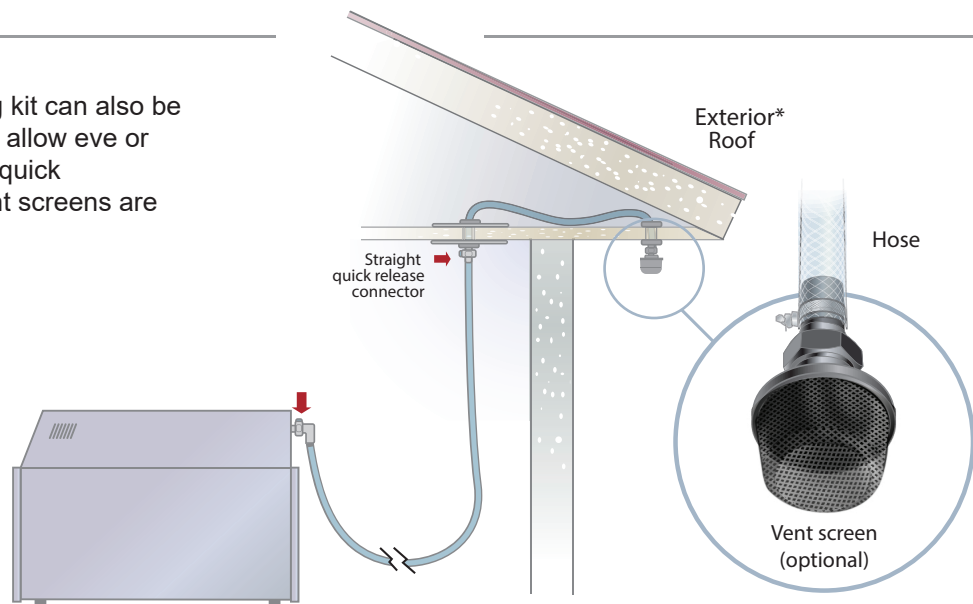


**Alternate Option 2** *Remote location installation*



**Alternate Option 3** *Soffit or eve termination*

The through wall mounting kit can also be used as a ceiling mount to allow eve or soffit termination. Straight quick disconnect fittings and vent screens are available from Andersen.



*\* Please note: AAMI guidelines recommend all EO sterilizers be vented through a dedicated exhaust line to the outside atmosphere directly or through an emission control system. The vent should not terminate within 25 feet of any building air intake source or near pedestrian or animal traffic, nor should it allow EO release into or to reenter the building.*

For further installation assistance please call your Andersen representative or 1.800.523.1276



Health Science Park • 3202 Caroline Drive  
Haw River, NC 27258-9564 USA  
800.523.1276



**sterility.com**

Join Us: Follow, Like, Share



Intertek



#3004634710



Distributed in Europe by: **H.W. Andersen SARL**  
Distributed in UK, Australia, Africa & Middle East by:  
**H.W. Andersen Products, Ltd.**  
anderseneurope.com